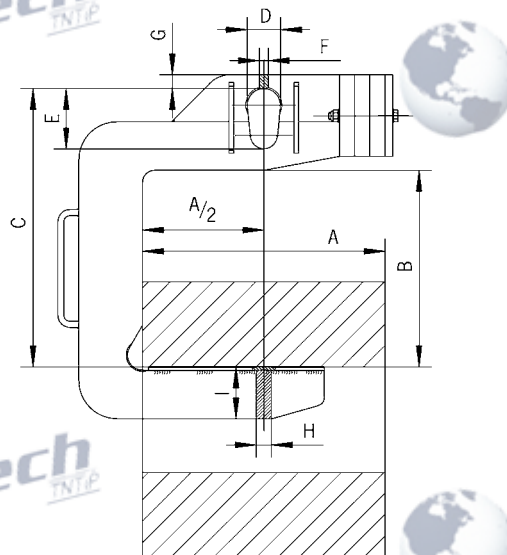


TCK



Wymiary modelu TCK

Model	TCK 0,5/300	TCK 0,5/500	TCK 0,5/800	TCK 1,0/300	TCK 1,0/500	TCK 1,0/800	TCK 2,0/300	TCK 2,0/500	TCK 2,0/800	TCK 2,0/1000
Coil width A, mm	300	500	800	300	500	800	300	500	800	1000
Usable height B, mm	400	400	400	450	450	450	500	500	500	500
C, mm	570	580	580	620	630	630	700	700	720	720
D, mm	60	60	60	60	60	60	75	75	75	75
E, mm	120	120	120	120	120	120	150	150	150	150
F, mm	20	20	25	25	20	30	25	30	30	20
G, mm	25	23	23	23	23	23	38	38	38	35
H, mm	20	20	25	20	25	30	25	30	30	40
I, mm	50	65	70	70	80	90	90	110	125	125

Model	TCK 3,0/300	TCK 3,0/500	TCK 3,0/800	TCK 3,0/1000	TCK 5,0/500	TCK 5,0/800	TCK 5,0/1000	TCK 5,0/1250	TCK 7,5/800	TCK 7,5/1000
Coil width A, mm	300	500	800	1000	500	800	1000	1250	800	1000
Usable height B, mm	500	500	500	500	550	550	550	550	600	600
C, mm	700	700	720	720	800	800	820	820	900	900
D, mm	75	75	75	75	100	100	100	100	110	110
E, mm	150	150	150	150	200	200	200	200	220	220
F, mm	30	20	25	20	25	30	30	30	35	35
G, mm	38	40	40	40	45	45	45	45	50	50
H, mm	30	30	40	40	40	50	50	50	50	60
I, mm	105	125	140	155	145	160	180	200	200	200

Model	TCK 7,5/1250	TCK 7,5/1500	TCK 10,0/1000	TCK 10,0/1250	TCK 10,0/1500
Coil width A, mm	1250	1500	1000	1250	1500
Usable height B, mm	600	600	650	650	650
C, mm	900	920	980	1000	1000
D, mm	110	110	130	130	130
E, mm	220	220	250	250	250
F, mm	35	35	40	45	45
G, mm	45	50	50	55	55
H, mm	60	70	70	70	80
I, mm	220	220	220	240	240