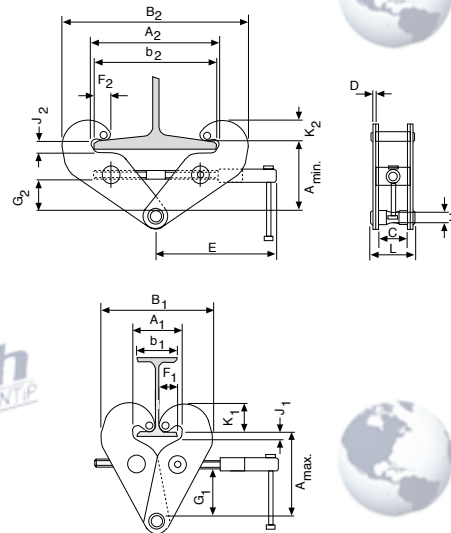


## Model YC

### Wymiary modelu YC



### Dane techniczne modelu YC

Model	EAN-Nr. 4025092*	Udźwig kg	Szerokość belki mm	Ciężar własny kg
YC 1	*055154	1.000	75 - 230	3,8
YC 2	*055161	2.000	75 - 230	4,6
YC 3	*055192	3.000	80 - 320	9,2
YC 5	*055208	5.000	90 - 320	11,0
YC 10	*055215	10.000	90 - 320	17,2

### Wymiary modelu YC

Model	YC 1	YC 2	YC 3	YC 5	YC 10
Amin., mm	115	115	180	180	175
Amax., mm	150	150	225	225	220
A1, mm	78	78	80	90	90
A2, mm	246	246	320	310	320
B1, mm	186	186	232	242	268
B2, mm	350	350	455	445	480
b1, mm	75	75	80	90	90
b2, mm	230	230	320	310	320
C, mm	50	50	70	70	70
D, mm	4	6	8	10	14
E, mm	215	215	255	255	275
F1, mm	34	35	35	35	35
F2, mm	17	18	21	21	20
G1, mm	82	82	120	116	110
G2, mm	44	44	75	75	66
H, mm	20	20	22	28	38
J1, mm	14	14	30	30	34
J2, mm	21	21	34	34	35
K1, mm	48	50	60	60	60
K2, mm	31	32	40	42	40
L, mm	84	94	122	129	146