

Wciągnik przejezdny w normalnej zabudowie

Seria MT, układ lin 4/1

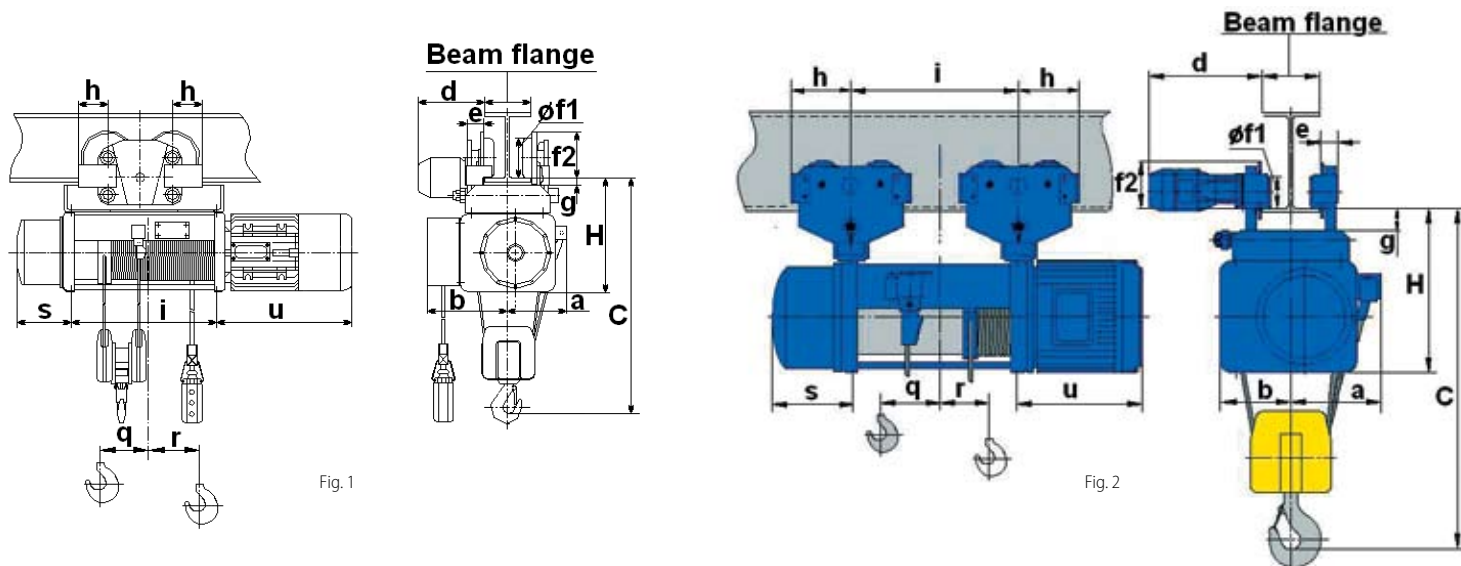


Fig. 1

Fig. 2

Normal headroom hoist – MT series, 4 rope falls (reeving 4/1)

Hoist type	Capacity (t)	Rope (mm)	Fig.	Hook travel (m)	Fixed dimensions (mm)										Variable dimensions (mm)						Beam flange		Weight (kg)		
					C	H	a	b	d	e	f1	f2	g	h	i	q	r	s	u (V1)	u (V2)	x	y		max	min
MT305	2	ø7	1	7	1000	473	256	413	335	115	175	200	37	125	520	132	-25	200	376	376	22	45	300	150	290
	2	ø7	2	10	1000	496	256	213	380	53	120	142	30	190	700	222	-69	200	376	376	17	35	300	130	308
	2	ø7	2	13	1000	496	256	213	380	53	120	142	30	190	885	314	-115	200	376	376	17	35	300	130	320
MT308	3.2	ø7	1	7	1080	473	256	413	335	115	175	200	37	125	520	132	-25	200	376	483	22	45	300	150	310
	3.2	ø7	2	10	1080	496	256	213	380	53	120	142	30	190	700	222	-69	200	376	483	17	35	300	130	330
MT312	5	ø10	1	7	1140	486	256	418	365	120	210	230	33	140	570	137	-19	246	483	483	20	40	300	150	395
	5	ø10	2	10	1140	469	251	218	380	53	120	142	30	190	775	240	-72	246	483	483	17	35	300	130	425
	5	ø10	2	13	1140	469	251	218	380	53	120	142	30	190	975	340	-122	246	483	483	17	35	300	130	457
MT316	6.3	ø10	1	7	1140	486	256	418	365	120	210	230	33	140	570	137	-19	246	483	607	20	40	300	150	443
	6.3	ø10	2	10	1140	583	251	218	415	63	140	164	30	215	775	240	-72	246	483	607	20	40	300	150	471
	6.3	ø10	2	13	1140	583	251	218	415	63	140	164	30	215	975	340	-122	246	483	607	20	40	300	150	500
MT525	10	ø12	2	7	1180	586	296	448	415	63	140	164	30	215	590	133	-15	266	616	661	20	40	300	150	525
	10	ø12	2	10	1180	586	296	248	415	63	140	164	30	215	795	236	-67	266	616	661	20	40	300	150	560
	10	ø12	2	13	1180	586	296	248	415	63	140	164	30	215	995	336	-117	266	616	661	20	40	300	150	600

Dimensions are for hoists with FEM 2m/ISO M5, for 3m/M6 see table MT2-3m

Normal headroom hoist – MT series, 4 rope falls (reeving 4/1)

Hoist type	Capacity (t)	Hook position	Reactions (kg)					
			Hook travel (m)					
			7		10		13	
			R1	R2	R1	R2	R1	R2
MT305	2	uep	2000	2000	1634	366	1710	290
	2	dep	2000	2000	1196	804	1258	742
MT308	3.2	uep	3200	3200	2614	586	2736	464
	3.2	dep	3200	3200	1914	1286	2014	1186
MT312	5	uep	5000	5000	4044	956	4240	760
	5	dep	5000	5000	2960	2040	3126	1874
MT316	6.3	uep	6300	6300	5096	1204	5344	956
	6.3	dep	6300	6300	3730	2570	3938	2362
MT525	10	uep	7254	2746	7968	2032	8376	1624
	10	dep	5254	4746	5842	4158	6176	3824

uep – Upper end position of the hook.

dep – Down end position of the hook.

Note: Load on the single wheel – R1/4, R2/4

MT4-3m

Hoist type	FEM	ISO	Dimensions
MT304	3m	M6	see MT305
MT306	3m	M6	see MT308
MT310	3m	M6	see MT312
MT313	3m	M6	see MT316
MT520	3m	M6	see MT525

