

# Wciągnik przejezdny w normalnej zabudowie

## Seria MT, układ lin 2/1

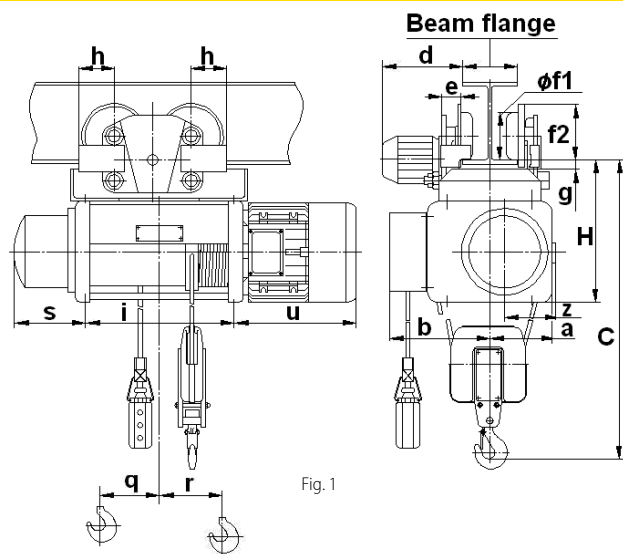


Fig. 1

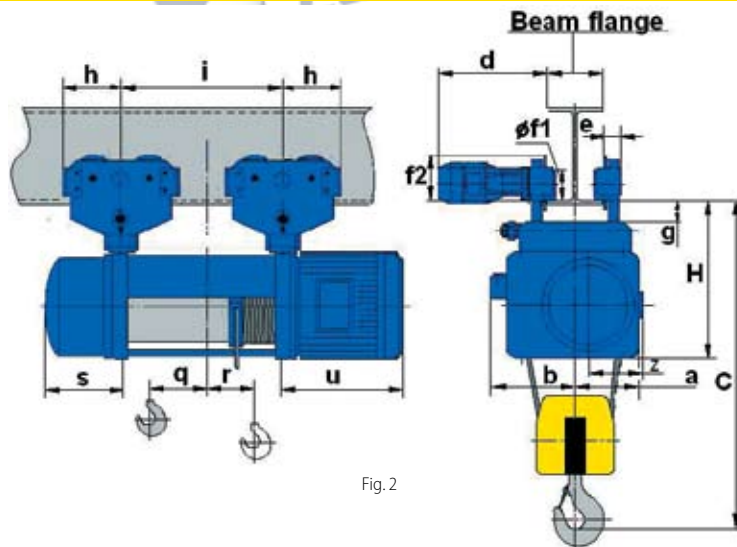


Fig. 2

### Normal headroom hoist – MT series, 2 rope falls (reeving 2/1)

Hoist type	Capacity (t)	Rope (mm)	Fig.	Hook travel (m)	Fixed dimensions (mm)										Variable dimensions (mm)								Beam flange		Weight (kg)		
					C	H	a	b	d	e	f1	f2	g	h	i	q	r	s	u (V1)	z (V1)	u (V2)	z (V2)	x	y		max	min
MT305	1	ø7	1	10	939	439	208	247	205	87	120	140	33	93	395	91	61	200	376	150	376	150	20	40	300	130	275
	1	ø7	1	14	939	439	208	247	205	87	120	140	33	93	520	154	61	200	376	150	376	150	20	40	300	130	282
	1	ø7	2	20	939	496	208	247	380	53	120	142	30	190	700	244	61	200	376	150	376	150	17	35	300	130	300
MT308	1.6	ø7	1	10	1073	473	208	247	305	115	175	200	37	125	395	91	61	200	376	150	483	181	22	45	300	150	280
	1.6	ø7	1	14	1073	473	208	247	305	115	175	200	37	125	520	154	61	200	376	150	483	181	22	45	300	150	297
	1.6	ø7	2	20	1073	496	208	247	380	53	120	142	30	190	700	244	61	200	376	150	483	181	17	35	300	130	317
MT312	2.5	ø10	1	10	1140	473	195	260	305	115	175	200	37	125	440	90	77	246	483	181	483	181	22	45	300	150	340
	2.5	ø10	1	14	1140	473	195	260	305	115	175	200	37	125	570	155	77	246	483	181	483	181	22	45	300	150	370
	2.5	ø10	2	20	1140	496	195	260	380	53	120	142	30	190	775	258	77	246	483	181	483	181	17	35	300	130	400
MT316	3.2	ø10	1	10	1140	473	195	260	335	115	175	200	37	125	440	90	77	246	483	181	607	240	22	45	300	150	370
	3.2	ø10	1	14	1140	473	195	260	335	115	175	200	37	125	570	155	77	246	483	181	607	240	22	45	300	150	398
	3.2	ø10	2	20	1140	496	195	260	380	53	120	142	30	190	775	258	77	246	483	181	607	240	17	35	300	130	426
MT525	5	ø12	1	10	1180	496	227	284	365	120	210	230	33	140	455	90	78	266	616	251	661	251	22	45	300	150	510
	5	ø12	1	14	1180	496	227	284	365	120	210	230	33	140	590	157	78	266	616	251	661	251	22	45	300	150	525
	5	ø12	2	20	1180	586	227	284	415	53	120	164	30	215	795	260	78	266	616	251	661	251	17	35	300	130	540
	5	ø12	2	26	1180	586	227	284	415	53	120	164	30	215	995	360	78	266	616	251	661	251	17	35	300	130	600

Dimensions are for hoists with FEM 2m/ISO M5, for 3m/M6 see table MT2-3m

Normal headroom hoist – MT series, 2 rope falls (reeving 2/1)								
Hoist type	Capacity (t)	Hook position	Reactions (kg)					
			Hook travel (m)				R1	R2
			10	14	20	26		
MT305	1	uep	1000	1000	842	158	–	–
	1	dep	1000	1000	406	594	–	–
MT308	1.6	uep	1600	1600	1356	254	–	–
	1.6	dep	1600	1600	650	950	–	–
MT312	2.5	uep	2500	2500	2110	390	–	–
	2.5	dep	2500	2500	1034	1466	–	–
MT316	3.2	uep	3200	3200	2700	500	–	–
	3.2	dep	3200	3200	1324	1876	–	–
MT525	5	uep	5000	5000	4100	900	428	702
	5	dep	5000	5000	1990	3010	2088	2912

uep – Upper end position of the hook.

dep – Down end position of the hook.

Note: Load on the single wheel – R1/4, R2/4

MT2-3m			
Hoist type	FEM	ISO	Dimensions
MT304	3m	M6	see MT305
MT306	3m	M6	see MT308
MT310	3m	M6	see MT312
MT313	3m	M6	see MT316
MT520	3m	M6	see MT525

