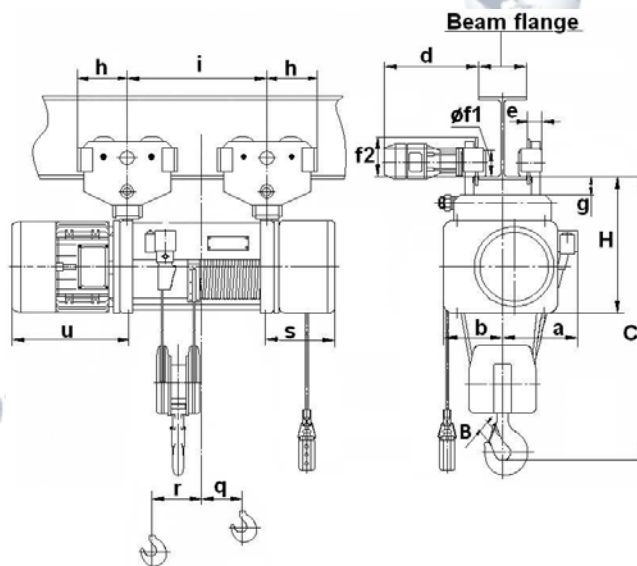


Wciągnik przejezdny w normalnej zabudowie

Seria M, układ lin 4/1

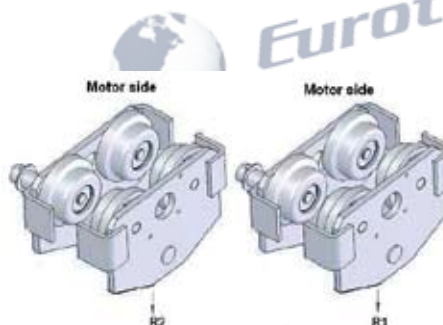


Normal headroom hoist – M series, 4 rope falls (reeving 4/1)

Hoist type	Capacity (t)	Rope (mm)	Hook travel (m)	Fixed dimensions (mm)										Variable dimensions (mm)						Beam flange		Weight (kg)			
				B	C	H	a	b	d	e	f1	f2	g	h	i	q	r	s	u (V1)	u (V2)	x		y	max	min
M740	16	∅ 15	7	71	1600	771	410	358	550	122	250	282	50	176	553	37	70	299	674	512	22	45	300	150	990
	16	∅ 15	9	71	1600	771	410	358	550	122	250	282	50	176	713	117	36	299	674	512	22	45	300	150	1160
	16	∅ 15	13	71	1600	771	410	358	550	122	250	282	50	176	928	224	-18	299	674	512	22	45	300	150	1330
	16	∅ 15	16	71	1600	771	410	358	550	122	250	282	50	176	1143	332	-72	299	674	512	22	45	300	150	1515

Normal headroom hoist – M series, 4 rope falls (reeving 4/1)

Hoist type	Capacity (t)	Hook travel (m)	Hook position	Reactions (kg)	
				R1	R2
M740	16	7	uep	3465	4535
	16	7	dep	5012	2988
	16	9	uep	2687	5313
	16	9	dep	4404	3596
	16	13	uep	2069	5931
	16	13	dep	3845	4155
	16	16	uep	1677	6323
	16	16	dep	3496	4504



uep – Upper end position of the hook.

dep – Down end position of the hook.

Note: Load on the single wheel – R1/4, R2/4