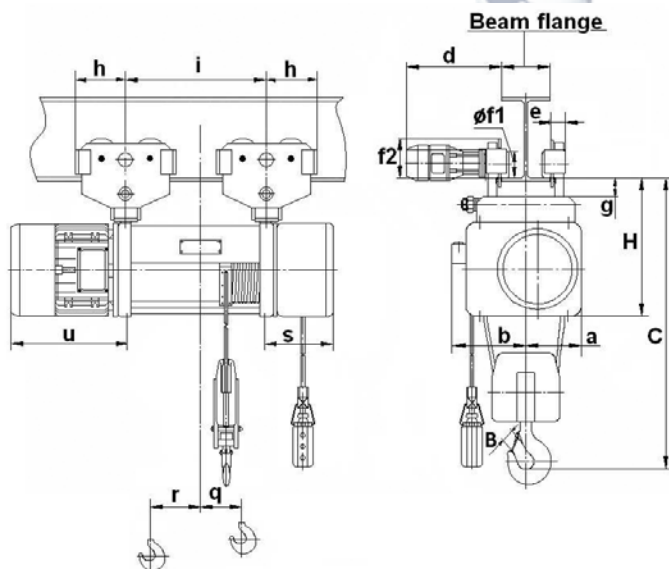


Wciągnik przejezdny w normalnej zabudowie

Seria M, układ lin 2/1

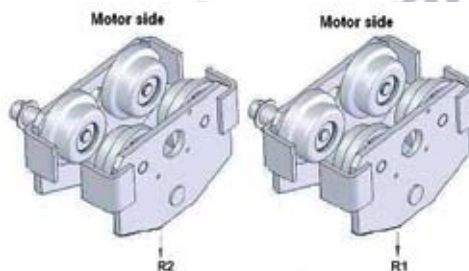


Normal headroom hoist – M series, 2 rope falls (reeving 2/1)

Hoist type	Capacity (t)	Rope (mm)	Hook travel (m)	Fixed dimensions (mm)										Variable dimensions (mm)								Beam flange		Weight (kg)	
				B	C	H	a	b	d	e	f1	f2	g	h	i	q	r	s	u (V1)	u (V2)	x	y	max		min
M740	8	ø 15	14	56	1566	716	308	410	365	120	210	230	33	140	553	148	78	299	674	512	22	45	300	150	975
	8	ø 15	19	56	1566	716	308	410	365	120	210	230	33	140	713	178	128	299	674	512	22	45	300	150	1143
	8	ø 15	26	56	1566	716	308	410	365	120	210	230	33	140	928	285	128	299	674	512	22	45	300	150	1193

Normal headroom hoist – M series, 2 rope falls (reeving 2/1)

Hoist type	Capacity (t)	Hook travel (m)	Hook position	Reactions (kg)	
				R1	R2
M740	8	14	uep	1860	6140
	8	14	dep	5128	2872
	8	19	uep	2004	5996
	8	19	dep	5436	2564
	8	26	uep	1544	6456
	8	26	dep	5102	2898



uep – Upper end position of the hook.

dep – Down end position of the hook.

Note: Load on the single wheel – R1/4, R2/4